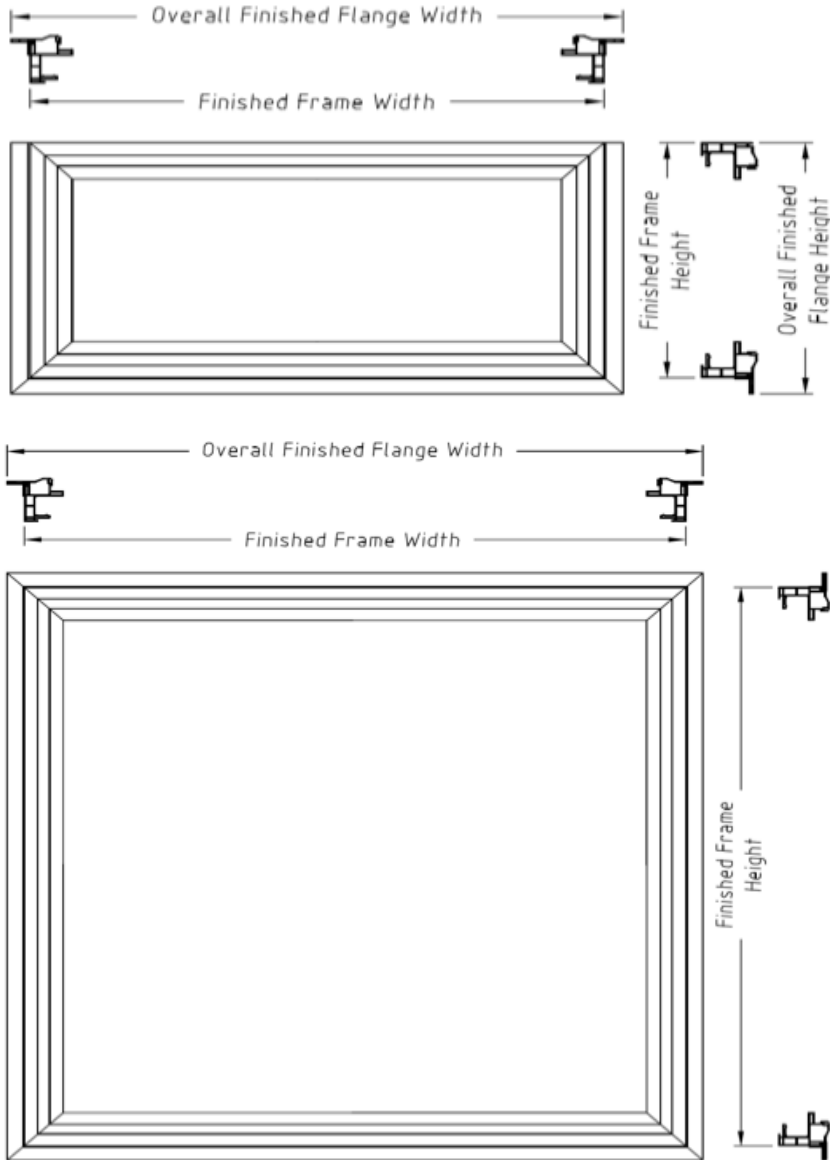


POUR-MOLD



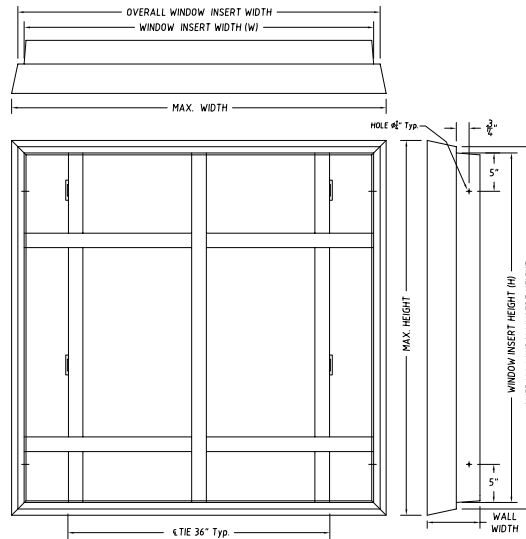
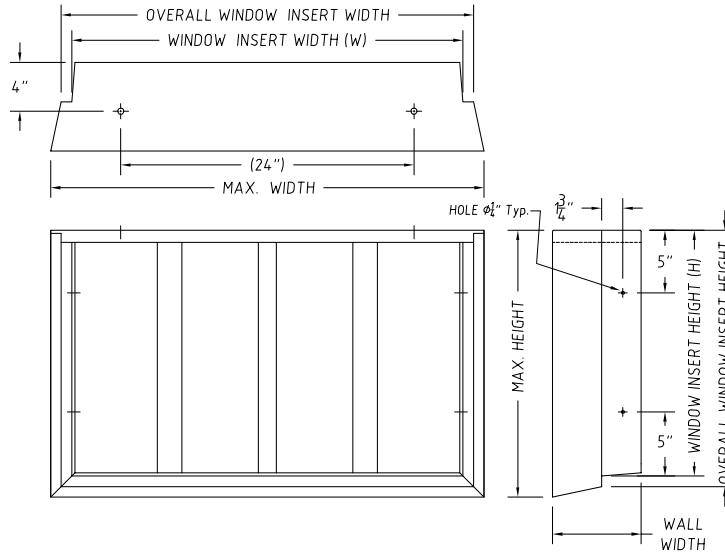
**Spec Sheet -
Pour-Mold Window**



POUR-MOLD SIZING				
CALL OUT	FINISH FRAME		OVERALL FINISHED FLANGE	
	Width	Height	Width	Height
3216	31 3/4	15 1/4	33 1/2	16 3/4
3220	31 3/4	19 1/4	33 1/2	20 3/4
4040	47 1/2	47 1/2	49 1/2	49 1/2
5050	59 1/2	59 1/2	61 1/2	61 1/2



**Spec Sheet -
Block Out Molds**



BLOCK OUT MOLD SIZING				
CALL OUT	FINISHED FRAME		OVERALL FINISHED FLANGE	
	Width	Height	Width	Height
3216	31 3/4	15 1/4	33 1/2	16 3/4
3220	31 3/4	19 1/4	33 1/2	20 3/4
4040	47 1/2	47 1/2	49 1/2	49 1/2
5050	59 1/2	59 1/2	61 1/2	61 1/2