



Stif Back® II Window Well



- One piece construction.
- Available galvanized, white painted steel, or sandalwood painted steel.
- Available to fit 4' and 5' wide picture window applications for both frame and wall mount.
- Designed to withstand the pressure from heavy clay/soil and aggressive back filling.
- Designed and tested in conjunction with a registered structural engineering firm.
- Available in 24" and 36" projections and 48" to 72" heights – single piece steel construction
**Custom Heights Available*
- Deep corrugation – strength to meet virtually any application.
- Constructed of heavy gauge galvanized steel for outstanding durability.
- Superior strength provided from deep corrugation.
- Galvanized finish for maximum light reflectivity, and easy post-construction clean-up.
- Heavy 3/4" rolled top edge for extra strength and safety.
- Flat, pre-punched flanges allow easy attachment to walls and frames.

We Bring Light and Life to Basements.®

Monarch Materials Group, Inc.

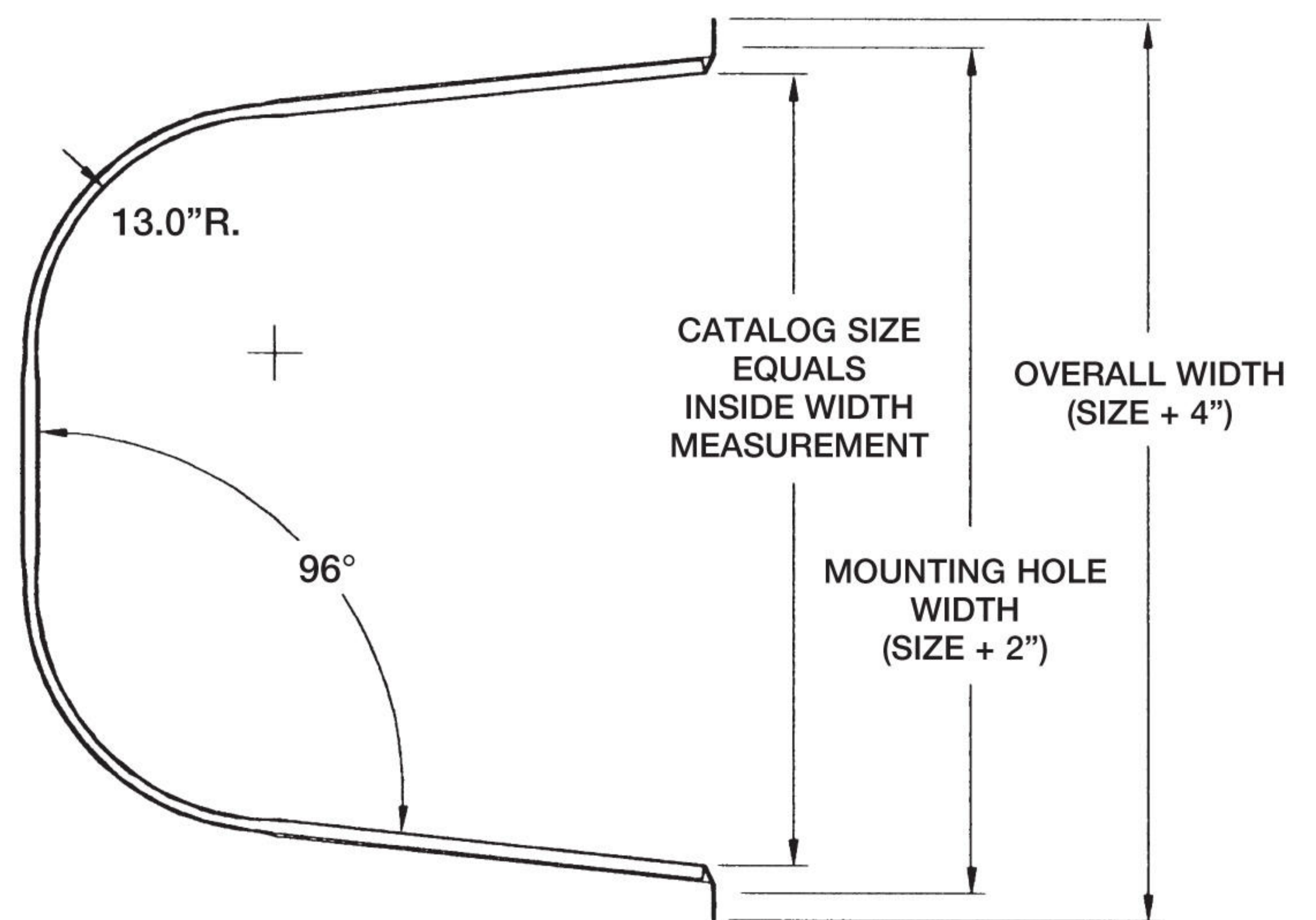
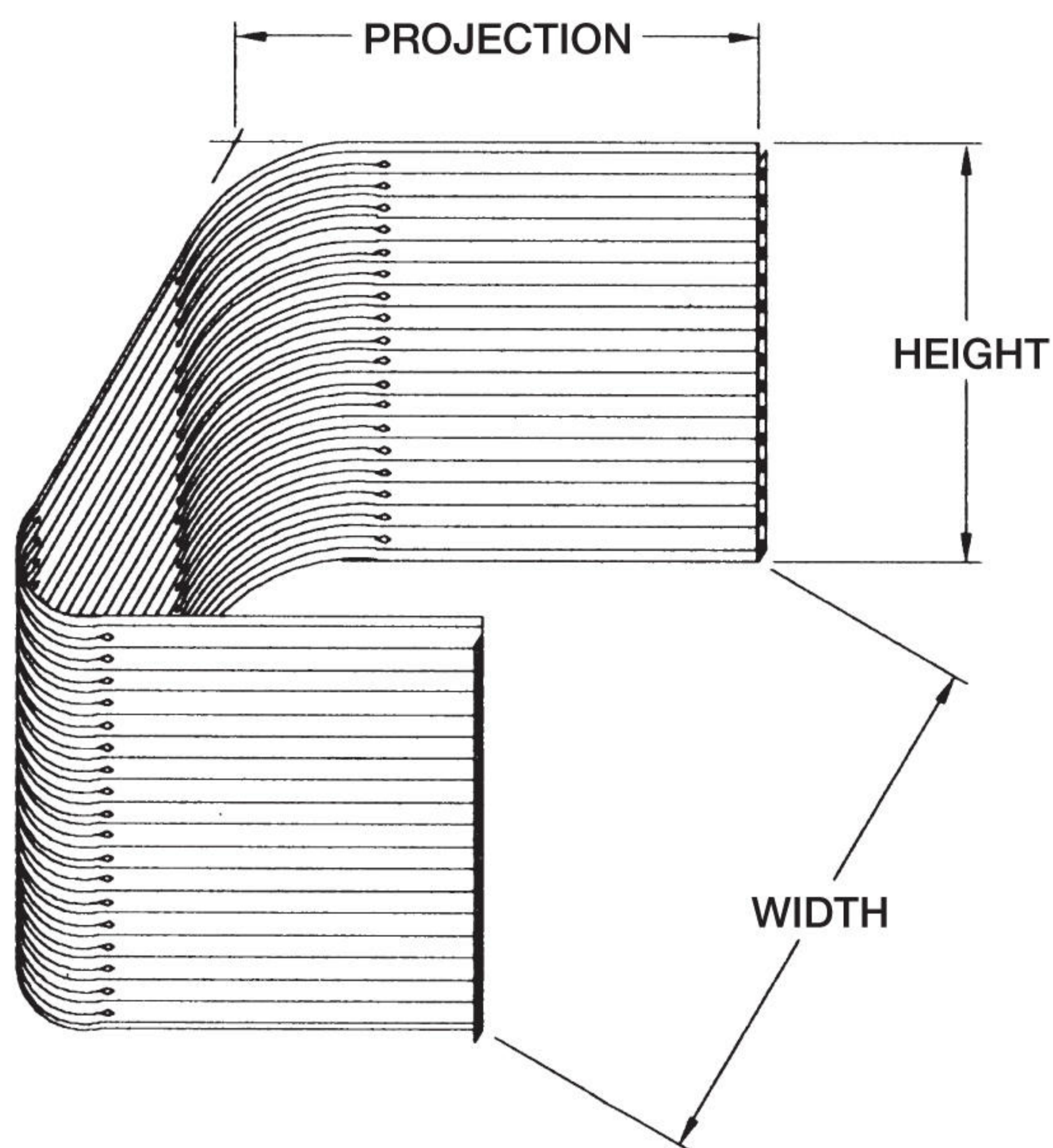
P.O. Box 250, Waukee, Iowa 50263, Phone: (515) 993-4561, 1-800-343-9370, Fax: (515) 993-4372

1850 W. Adriatic Pl., Englewood, Colorado 80110, Phone: (303) 935-4679, Fax: (303) 935-4670

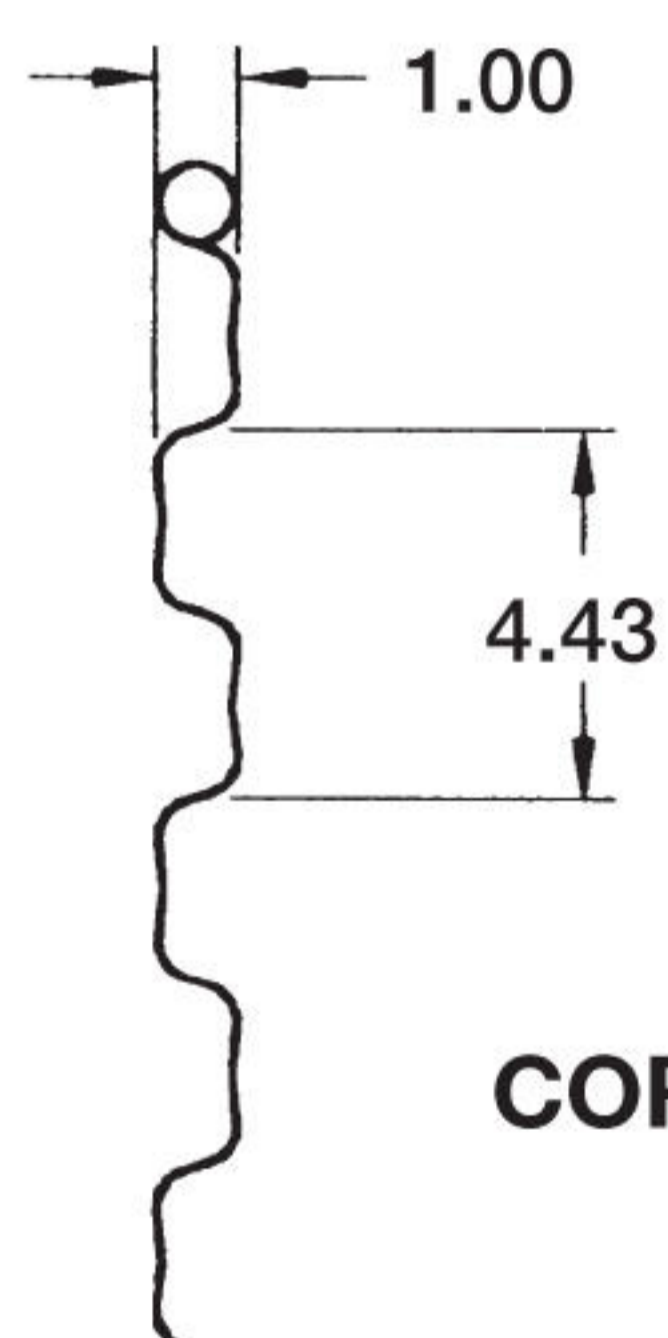
WEB SITE: www.monarchgroup.com



Spec Sheet - Stif Back® II Window Well



TOP VIEW



**CORRUGATION
DETAIL**

CATALOG SIZE = INSIDE WIDTH MEASUREMENT

To mounting holes = **WIDTH + 2.0"**

To outside edge of flanges = **WIDTH + 4.0" ***